

DHI-ARD311-W

Wireless Door/Window Contact



Features

- Door/Window sensor, 25-40mm motion distance
- Bi-directional communication
- Up to 700m transmission distance (open space/no interference)
- 3 years battery life
- Tamper switch equipped
- Screw or glue to mount
- ABS plastic

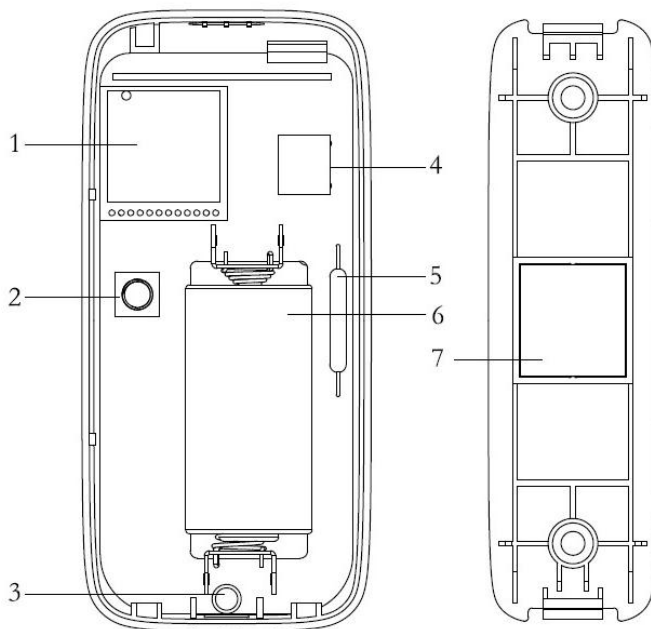
Technical Specifications

| Model | DHI-ARD311-W |
|--------------------|--|
| Name | Wireless door sensor |
| Motion distance | 25-40mm |
| Alarm prompt | Notification LED light, can be set to switch off |
| Wireless Frequency | 433MHz |
| Transmit Power | 10dBm |
| Transmit Distance | 700m (open area/no interference) |
| Tamper | Front cover and rear cover protection |
| Power | 1xCR123A battery, 3V 50mA |
| Installation Way | Screw and glue |
| Dimensions | 84*39*22mm (L*W*H) |

DHI-ARD311-W

| | |
|--------------|------------------------|
| Weight | 0.1kg |
| Temperature | -10°C~50°C |
| Humidity | < 95% |
| Installation | Screw or glue to mount |

Product Appearance



| No. | Note |
|-----|---------------------------------------|
| 1 | Wireless module |
| 2 | Vandal-proof switch I (case) |
| 3 | LED |
| 4 | Vandal-proof II (wall vandal-proof) |
| 5 | Reed switch |
| 6 | Battery |
| 7 | Magnetic |

Figure 1- 1

DHI-ARD311-W

Dimensions

