

DHI-ARD1231-W

Wireless PIR



Feature

- 12m/90° detecting range/angle
- Pet immunity 18kg
- Bi-directional communication
- Up to 700m transmission distance (open space/no interference)
- Built-in tamper switch
- Wall mount, 2.2~2.5m installation height
- Two level (sensitivity)
- Up to 700m transmission distance (open space/no interference)
- 3 years battery life
- ABS plastic

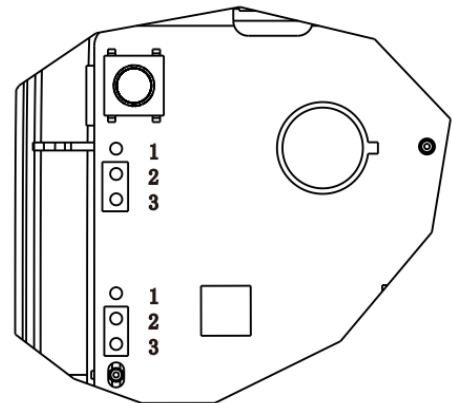
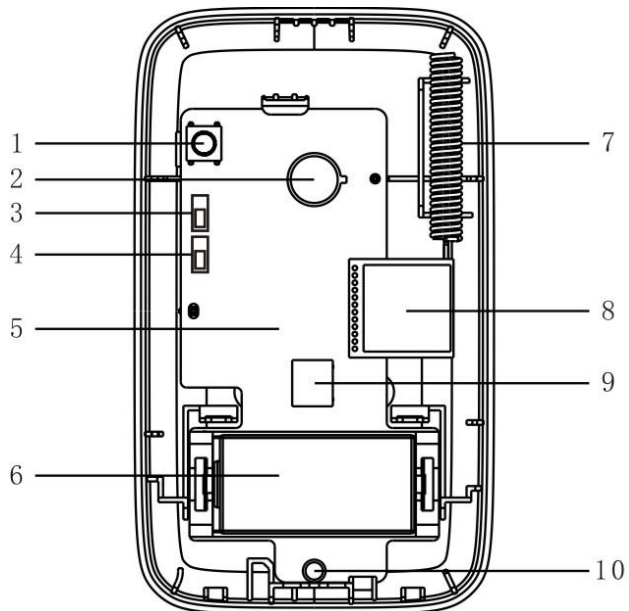
DHI-ARD1231-W

Technical Specifications

Model	DHI-ARD1231-W
Name	Wireless passive infrared sensor
Detection	Passive infrared
Detection Range	12×12m, 90°, 22zones
Alarm prompt	Red led, can be set to switch off
Sensitivity	Two level (jumper)
Wireless Frequency	433MHz
Transmit power	10dBm
Transmit distance	700 (open area/no interference)
Pet immunity	≤18Kg
Resistance light	6500LUX
Working environment	-10°C~+50°C, humidity <95°
Overall dimensions/weight	105mmx62mmx41.3mm/0.1kg
Tamper	Unit protection and leaving-wall protection
Power	1xCR123A battery, 3V 50mA
Installation height	Wall mount, 2.2-2.5m

DHI-ARD1231-W

Product Appearance

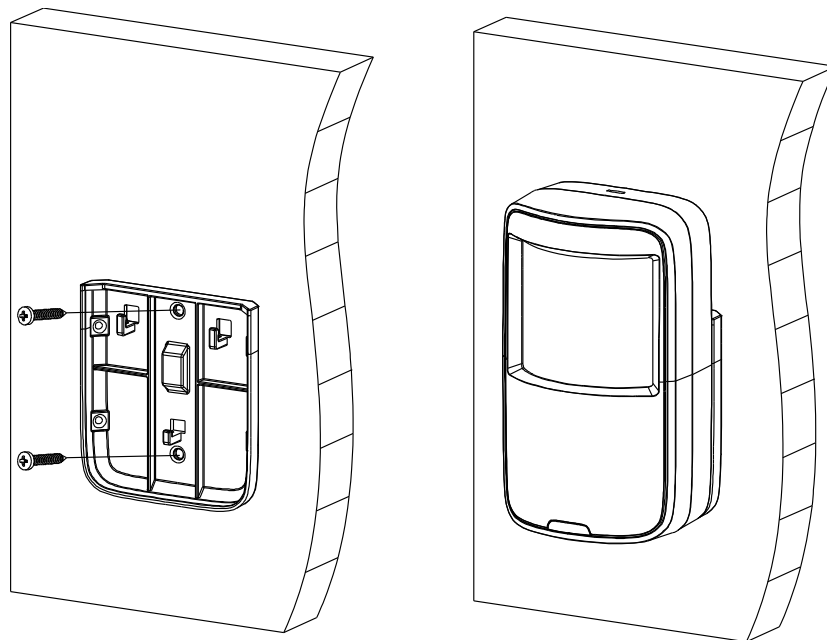


1	Case vandal-proof switch
2	Pyroelectric infrared detector
3	Sensitivity adjustment plunger pin
4	LED plunger pin
5	Motherboard PCB
6	Lithium battery
7	Antenna
8	Wireless module
9	Wall vandal-proof switch
10	LED

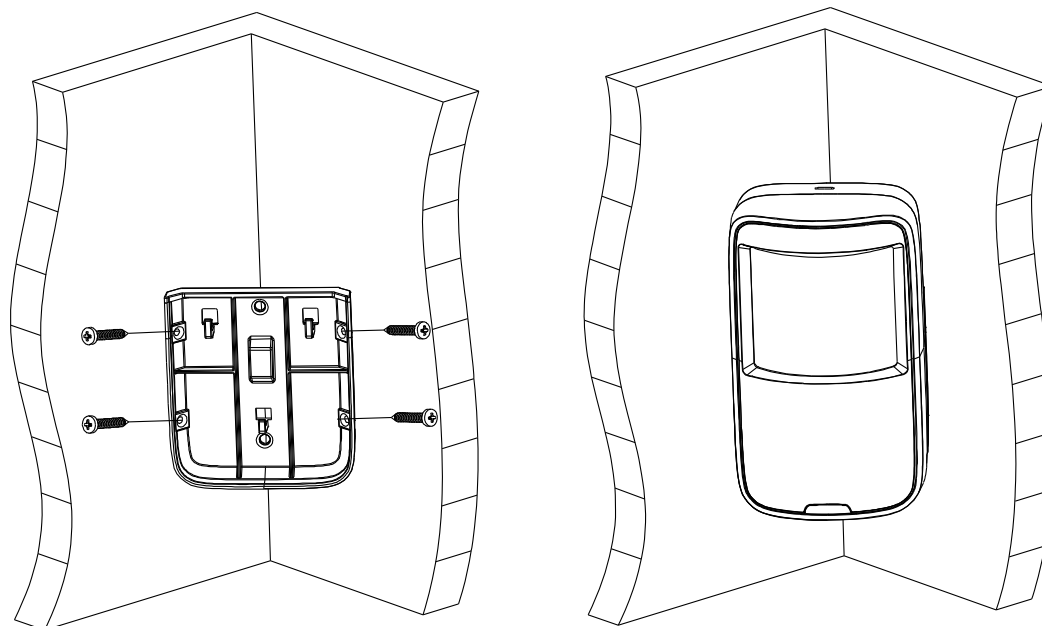
DHI-ARD1231-W

Installation and Range of Detection

Wall mount



Conner wall mount



Detection range of the detector is shown in Figure 1- 1. Horizontal angle of detection is 90°.

DHI-ARD1231-W

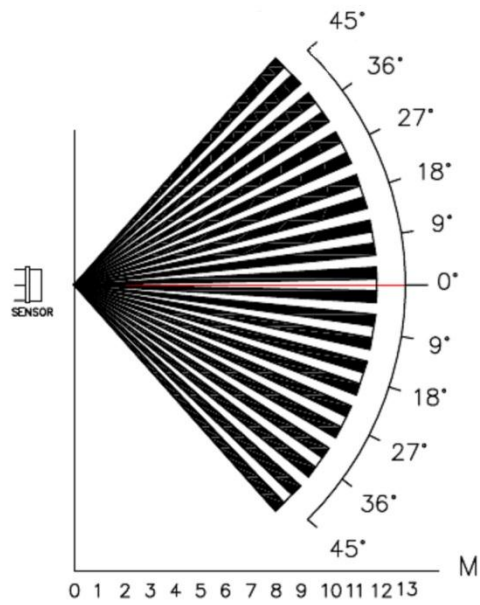


Figure 1- 1

Range of detector is shown in Figure 1- 2. Detection distance is 12m, and the closest distance is 1m.

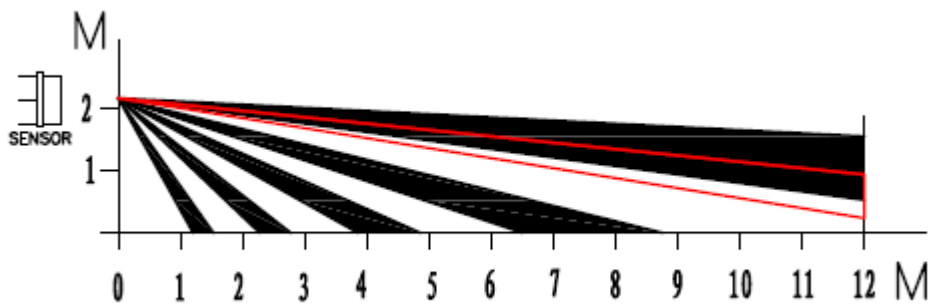


Figure 1- 2